

Compost Sifter

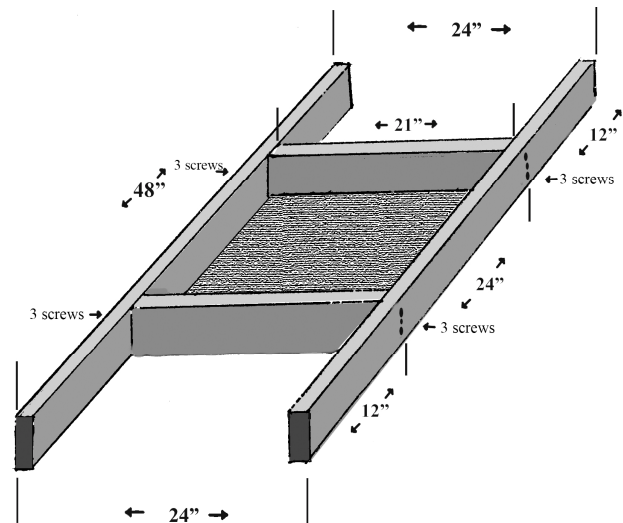
When you make compost at home either in a yard waste container or worm bin, it's nice to sift out material that has not been fully decomposed yet. This handy sifter is a great tool to help you sort out the larger chunks. The sifter product will be a fine texture perfect for your veggie garden, containers or landscape. Enjoy!

Materials

- 1 12' cedar 2x4"
- 1 2x2' piece of 1/2" galvanized hardware cloth
- 12 4" galvanized #10 screws
- 30 1/2" poultry wire staples

Tools

- Hammer
- Screwdriver or drill
- Tape measure
- Pencil
- Handsaw or circular power saw



Assembly Instructions

1. Cut the 12' 2x4" board into the following sizes:
 - Two 48" length pieces
 - Two 21" length pieces
2. Connect the 48" boards to the 21" boards by using three screws 12 3/4" distance from the end of each 48" board. Note: horizontal boards should be placed 12" from each end to form a 24" square outer dimension (see diagram).
3. Position the hardware cloth to fit the perimeter of the 24" square, then attach by hammering the poultry wire staples into the boards all around the edges, making sure to leave no rough edges.
4. Turn the frame over so the screen is underneath and the Compost Sifter is ready to use. For easier sifting, place the frame over a wheelbarrow and work compost through the sifter.

Plan designed by Seattle Tilth Master Composter Kirsten DeLara

Learn More About Natural Yard Care

Contact the Garden Hotline with your garden questions!

We can send you booklets

"Composting at Home" or "Building Healthy Soil."

help@gardenhotline.org (206) 633-0224 gardenhotline.org